

# HD 1080p Direct-connect monitor



HD 1080p Camera

## VP-HD2MP-HDMI/BNC

The VP-HD2MP-HDMI/BNC series features HD 1080p resolution and direct-connect to monitor capabilities. Due to its ability to connect directly to a monitor, the series can be integrated inexpensively to a system. The VP-HD2MP-HDMI/BNC Series has an optional remote control, which allows the user to create shadow mask and line markers directly on the screen.

The series is available in both DVI and SDI connections, allowing high customizability.



### Features

- 1920(H) x 1080(V)
- 2.8  $\mu$ m x 2.8  $\mu$ m
- 60 FPS
- 1/2.8" Sensor
- C Mount
- 1080p
- HDMI(DVI) / BNC(SDI) Connector
- High Sensitivity • High Quality

## Specifications

Model Numbers VP-HD2MP-HDMI/BNC

Effective Pixels : 1920(H) x 1080(V)

Chip Size : 8.5(H) x 7.3(V) mm

Pixel Cell Size : 2.8(H) x 2.8 (V)  $\mu$ m

Scanning Method : Progressive

Min. Scene : TBD Lux

Illumination

Frame Rate : • DVI

1080P60 / 59.94 / 50 / 30 / 29.97 / 25

720P60 / 59.94 / 50

• SDI

3G-SDI : 1080P60 / 59.94 / 50

HD-SDI : 1080P30 / 29.97 / 25 720P60 / 59.94 / 50

ALC : Electronic Shutter / AGC Linked

Electronic Shutter :  $\sim$  1/10,000 s

Gain : TBD

Gamma : 1.0 / 0.45 / Manual

White Balance : Auto / Manual / Push to Set

Mirror Image : Normal / Horizontal Flip / Vertical Flip  
Vertical & Horizontal Flip

Freeze Image : Live Video / Image Freeze

Line Marker : Horizontal / Vertical Line Marker

Shadow Mask : Horizontal / Vertical Shadow Mask

OSD : OSD can be displayed through serial communication port

Pixel Defect : Max. 1024 Pixels

Correction

Video Output : HDMI Connector(DVI)  
BNC Connector(SDI)

Power Input : 12V Power Jack

Consumption : TBD

External Control : 3.5 $\Phi$  stereo jack with SW board

Input Voltage : +9  $\sim$  +15Vdc (Typical : +12Vdc)

Dimensions : 40(W) x 40(H) x 48.9(D) mm (excluding connector)

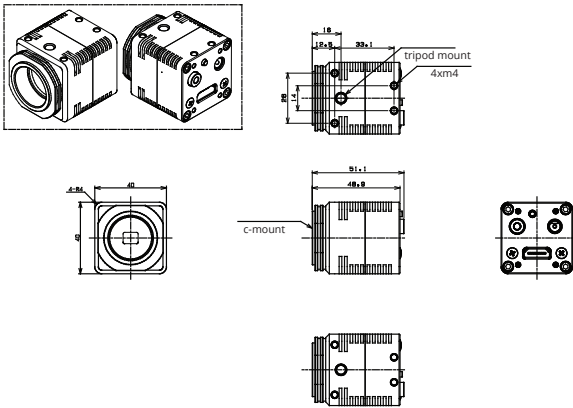
Optical Filter : IR cut filter, with Optical low pass filter

Lens Mount : C Mount

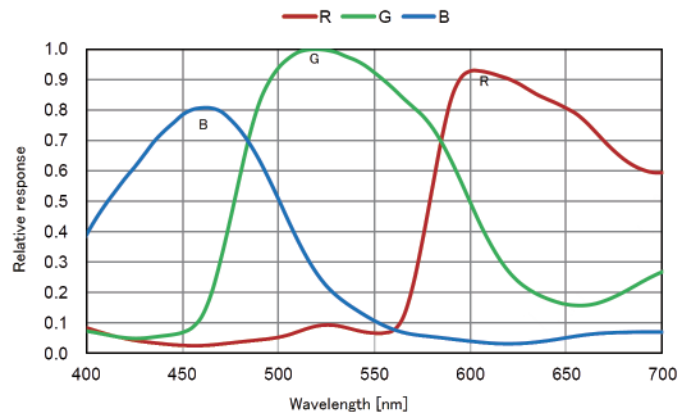
Compliance : RoHS Compliant

## Dimensions

VP-HD2MP-HDMI/BNC



## Spectral Sensitivity



Vision Partners is onderdeel van de  **SENSORGROEP**

### VISION PARTNERS

James Wattlaan 15, 5151 DP Drunen

+31 (0) 416 - 36 94 72

info@visionpartners.nl