



## UNILED SL

Strong, sensitive, pleasant

The UNILED SL creates a pleasant, motivating lighting atmosphere at (system) workplaces. Fitted with a matte disc, it produces a homogeneous, glare-free and shadow-free illumination with high luminous efficacy at the same time. Wherever a system luminaire with 24 V connection and UL / CSA certificate is needed, the UNILED SL is the first choice.

### The Technology

- Robust aluminium housing with integrated mounting for horizontal installation
- Heat is dissipated to the rear via aluminium base bodies

### Your benefits

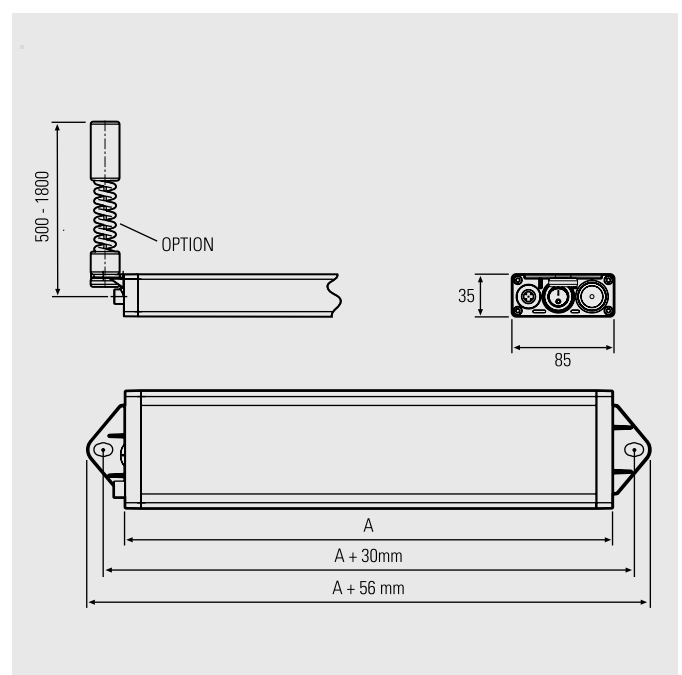
- Creates a pleasant atmosphere through daylight white 5200-5700 K
- Homogeneous, low-shadow, glare-free illumination

### Areas of application

- System and assembly workstations, test/inspection workstations
- Can be used in machines without coolant and chip bombardment
- Assembly lines

### Designs

- Four different powers: 15 W, 24 W, 48 W, 72 W
- Four lengths: 295 mm, 595 mm, 1045 mm, 1545 mm
- Special version: with dimming via button in the housing





UNILED SL, 5200–5700 K	Product no.	Length (A)	Optics	E <sub>average</sub> *	E <sub>max</sub> *	Luminous flux	Output	Connection
UNILED SL cover in opal white	110914-11	295 mm	100°	360 lx	501 lx	approx. 1234 lm	12 W	24V DC
UNILED SL cover in opal white	110914-12	545 mm	100°	706 lx	966 lx	approx. 2468 lm	24 W	24V DC
UNILED SL cover in opal white	110914-13	1045 mm	100°	1308 lx	1705 lx	approx. 4936 lm	48 W	24V DC
UNILED SL cover in opal white	110914-14	1545 mm	100°	1752 lx	2180 lx	approx. 7405 lm	72 W	24V DC
UNILED SL microprism covers	110914-21	295 mm	100°	442 lx	605 lx	approx. 1312 lm	12 W	24V DC
UNILED SL microprism covers	110914-22	545 mm	100°	866 lx	1171 lx	approx. 2626 lm	24 W	24V DC
UNILED SL microprism covers	110914-23	1045 mm	100°	1608 lx	2086 lx	approx. 5252 lm	48 W	24V DC
UNILED SL microprism covers	110914-24	1545 mm	100°	2150 lx	2680 lx	approx. 7879 lm	72 W	24V DC

Power supply, dimmboxes and connection materials, see Accessories

\* Average and maximum lighting intensities, measurement area 100 cm x 100 cm at 100 cm distance



Accessories	Product no.
UNILED wall bracket, 1 pair	213200-01
UNILED joint angle, 1 pair	213200-02
UNILED SL draw bar 1 pair	213300-01
IMPORTANT: (Special design) power supply 210100-06/-07 required for 230 V. Please order separately	
Dimming with switch (special design - installed in the luminaire when the order is placed)	999999-10

