



UNILED II

Ergonomic, efficient, wide-ranging

The UNILED II luminaire with an articulated arm is the logical further development of its predecessor. A high-quality aluminium spring arm, 2 different light colours and power levels as well as flicker-free illumination and infinitely variable dimming are the quality features of this luminaire. With up to 3300 lx at a distance of 500 mm, it provides the right light for every workplace and every visual task.

The Technology

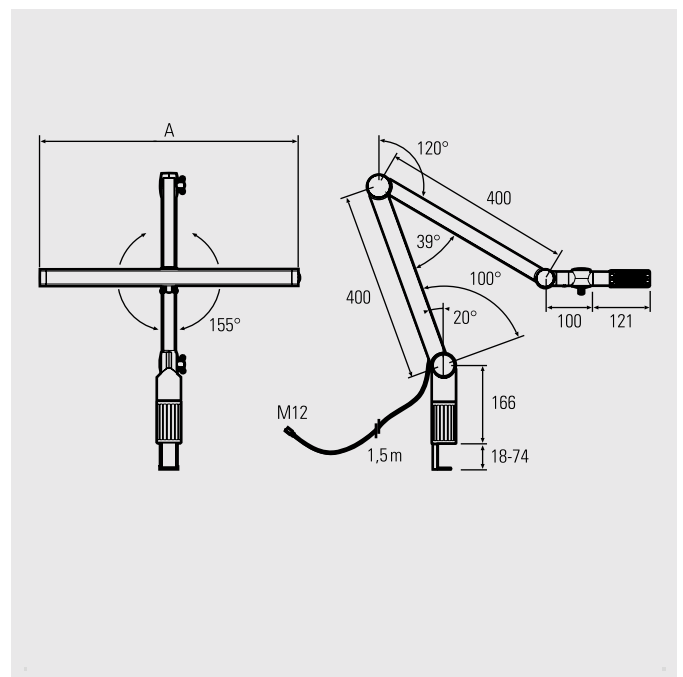
- Aluminium spring arm, 3D head joint
- Head and articulated arm can be pivoted and locked in any position
- Aluminium head with rear heat dissipation

Your benefits

- Excellent ergonomic handling
- Homogeneous shadow-free and glare-free illumination
- Variants with infinitely variable dimming and memory function in a luminaire

Areas of application

- For assembly and inspection workstations, manual workplaces in the goldsmith, dental laboratory and watchmaking sectors



Articulated arm | UNILED II



24V DC	III	IP40	60,000 h (L70/B10)	M12	3m	+40 -10	Variant	36 months	Germany
16 W Version	16 Watt	≥85	5200K 5700K	28 W Version	Natural white	Daylight white	PSU	110 V 240 V AC	

UNILED II articulated arm, 5200-5700 K	Product no.	Length Head (A)	Optics	E _{average} *	E _{max} *	Luminous flux	Output	Connection
UNILED II, table clamp	120610-01	298 mm	100°	773 lx	1905 lx	approx. 1740 lm	16 W	110-240V AC
UNILED II, dimmable, table clamp	120610-02	298 mm	100°	773 lx	1905 lx	approx. 1740 lm	16 W	110-240V AC
UNILED II, table clamp	120710-01	548 mm	100°	1503 lx	3360 lx	approx. 2930 lm	28 W	110-240V AC
UNILED II, dimmable, table clamp	120710-02	548 mm	100°	1503 lx	3360 lx	approx. 2930 lm	28 W	110-240V AC

Including power supply 110-240 V and table clamp

* Average and maximum lighting intensities, measurement area 100 cm x 100 cm at 50 cm distance

UNILED II articulated arm, 4000-4500 K	Product no.	Length Head (A)	Optics	E _{average} *	E _{max} *	Luminous flux	Output	Connection
UNILED II, table clamp	120720-01	548 mm	100°	1273 lx	2720 lx	approx. 2176 lm	28 W	110-240V AC
UNILED II, dimmable, table clamp	120720-02	548 mm	100°	1273 lx	2720 lx	approx. 2176 lm	28 W	110-240V AC

Including power supply 110-240 V and table clamp

Dimmboxes, other power supply units (PSU) and connection material see Accessories

* Average and maximum lighting intensities, measuring area 100 cm x 100 cm at 50 cm distance

Accessories	Product no.
Wall bracket for luminaires with an articulated arm	215100-01
Adapter for T-slot profile for luminaires with an articulated arm	215200-01
Screw-on base for luminaires with an articulated arm, plastic screws included	215400-01
Adapter for luminaires with an articulated arm, aluminium (for existing screw-on dimensions 60 x 60 mm on LED2WORK)	215400-02
Additional magnifier UNILED II, 3.39 dpt.	215500-01

Illustrations of accessories on the following page