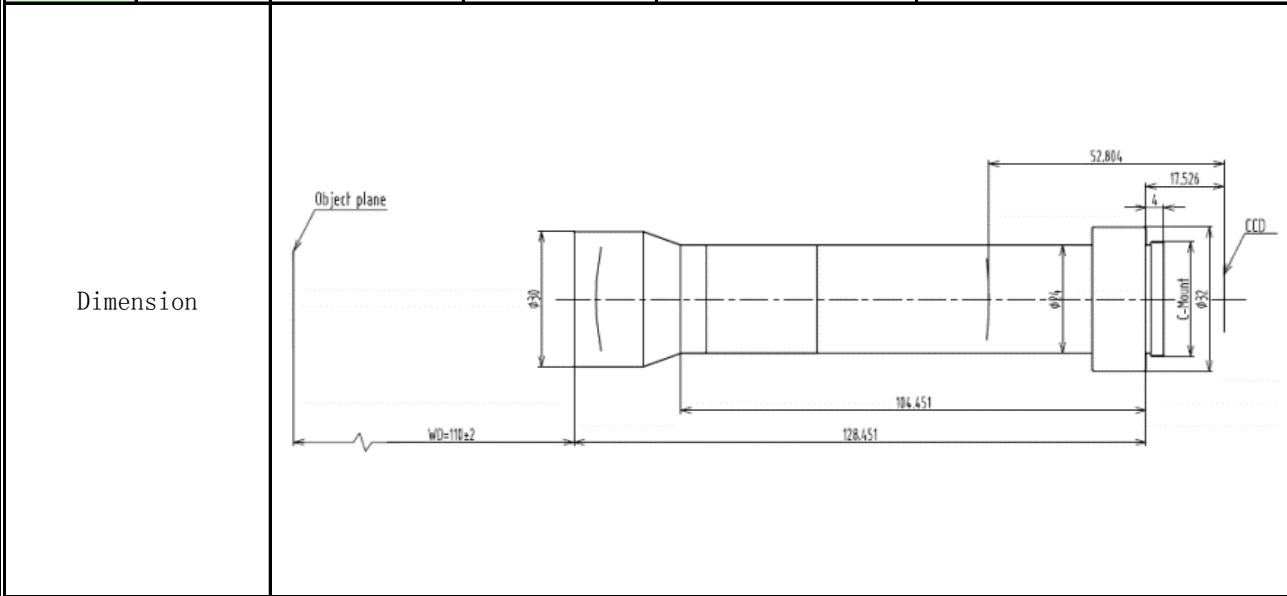


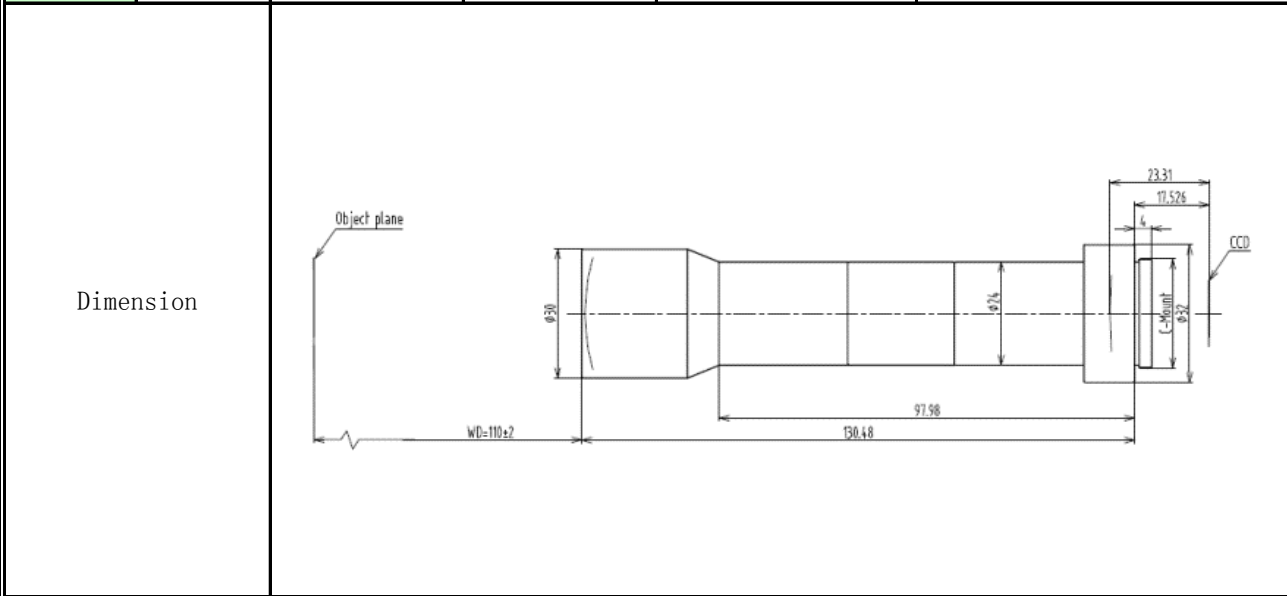
Telecentric Lens Spec

| | | | |
|-----------------------|-----------------|--------------------------|---------------------|
| Model NO. | MVL-MY-1-110-MP | Specification | HD telecentric Lens |
| Amplification Factor | 1.000 | Mount | C-mount |
| Object NA | 0.045 | Telecentricity | 0.1° |
| Image Format | Φ11mm (2/3") | Flange Length | 17.526mm |
| TV Distortion | 0.000 | Working Distance | 110mm |
| Lamp connector | - | Dimension | Φ32*128.451mm |
| Operating temperature | -10~50° | Object to Image distance | 255.977mm |
| Field of View | D | 8mm | 11mm |
| | H | 6.4mm | 8.8mm |
| | V | 4.8mm | 6.6mm |



Telecentric Lens Spec

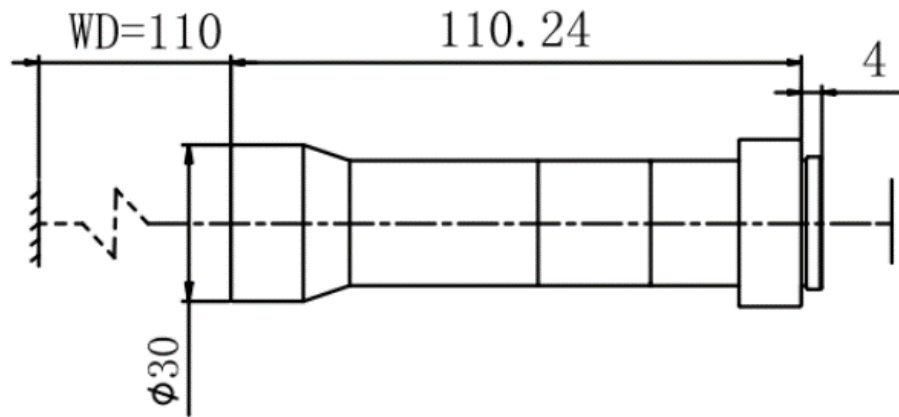
| | | | |
|-----------------------|-----------------|--------------------------|---------------------|
| Model NO. | MVL-MY-2-110-MP | Specification | HD Telecentric Lens |
| Amplification Factor | 2.000 | Mount | C-mount |
| Object NA | 0.074 | Telecentricity | 0.1° |
| Image Format | Φ11mm (2/3") | Flange Length | 17.526mm |
| TV Distortion | 0.0005 | Working Distance | 110mm |
| Lamp connector | - | Dimension | Φ32*130.48mm |
| Operating temperature | -10~50° | Object to Image distance | 258.006mm |
| Field of View | D | 4mm | 5.5mm |
| | H | 3.2mm | 4.4mm |
| | V | 2.4mm | 3.3mm |



Telecentric Lens Spec

| | | | |
|-----------------------|-----------------|--------------------------|---------------------|
| Model NO. | MVL-MY-4-110-MP | Specification | HD Telecentric Lens |
| Amplification Factor | 4.000 | Mount | C-mount |
| Object NA | 0.009 | Telecentricity | 0.1° |
| Image Format | Φ11mm (2/3") | Flange Length | 17.526mm |
| TV Distortion | 0.0005 | Working Distance | 110mm |
| Lamp connector | - | Dimension | Φ30*126.77mm |
| Operating temperature | -10~50° | Object to Image distance | 254.296mm |
| Field of View | D | 2mm | 2.75mm |
| | H | 1.6mm | 2.2mm |
| | V | 1.2mm | 1.65mm |

Dimension

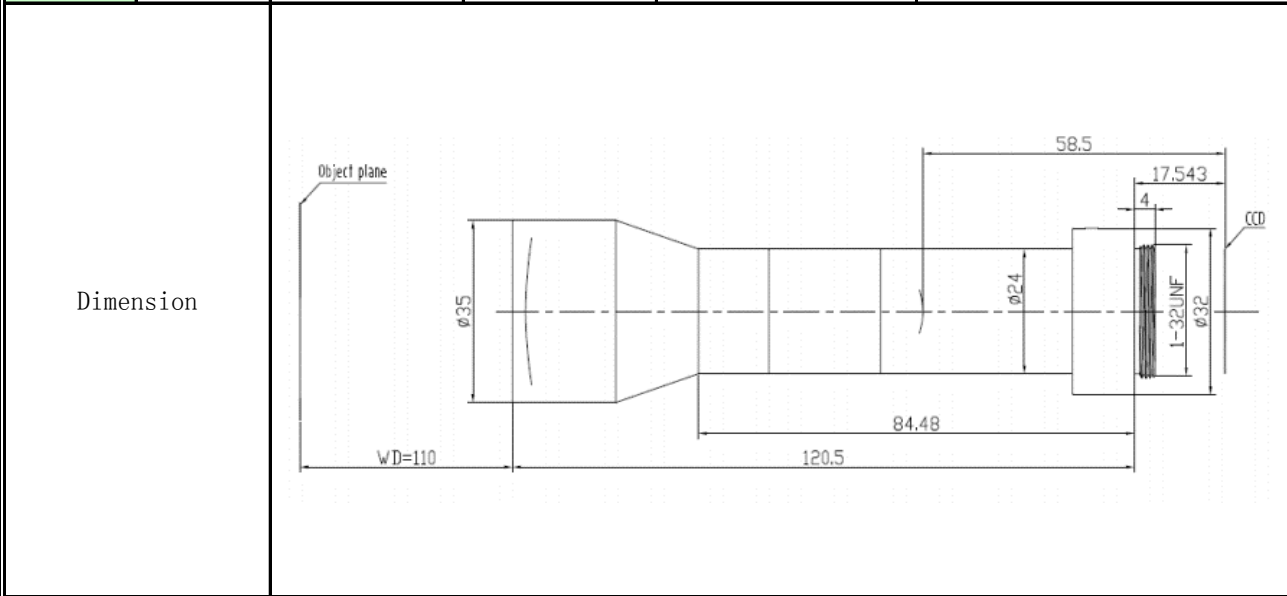


Lens Picture



Telecentric Lens Spec

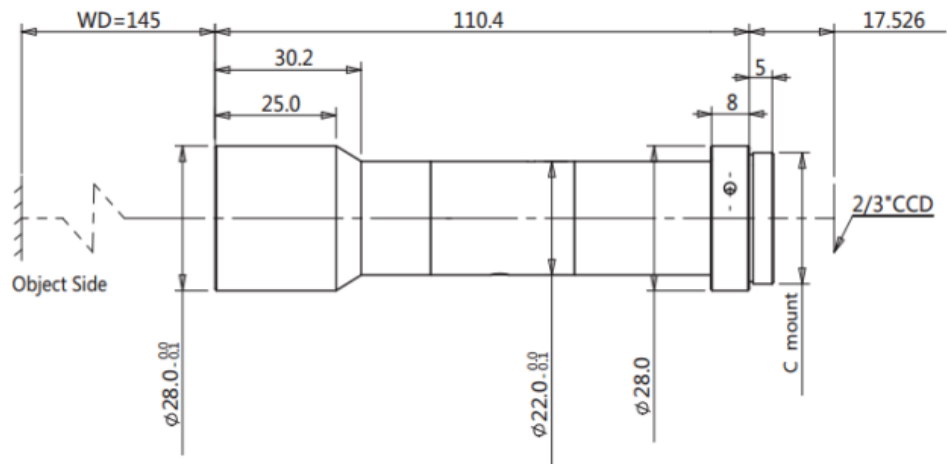
| | | | |
|-----------------------|------------------|--------------------------|---------------------|
| Model NO. | MVL-MY-05-110-MP | Specification | HD Telecentric Lens |
| Amplification Factor | 0.500 | Mount | C-mount |
| Object NA | 0.027 | Telecentricity | 0.1° |
| Image Format | Φ11mm (2/3") | Flange Length | 17.543mm |
| TV Distortion | 0.0005 | Working Distance | 110mm |
| Lamp connector | - | Dimension | Φ35*120.5mm |
| Operating temperature | -10~50° | Object to Image distance | 248.043mm |
| Field of View | D | 16mm | 22mm |
| | H | 12.8mm | 17.6mm |
| | V | 9.6mm | 13.2mm |



Telecentric Lens Spec

| | | | | | |
|-----------------------|------------------|--------------------------|---------------------|------|--------|
| Model NO. | MVL-MY-07-145-MP | Specification | HD Telecentric Lens | | |
| Amplification Factor | 0.700 | Mount | C-mount | | |
| Object NA | 0.023 | Telecentricity | 0.1° | | |
| Image Format | Φ11mm (2/3") | Flange Length | 17.526mm | | |
| TV Distortion | 0.001 | Working Distance | 145mm | | |
| Lamp connector | - | Dimension | Φ28*110.4mm | | |
| Operating temperature | -10~50° | Object to Image distance | 272.926mm | | |
| Field of View | D | 1/3" | 11.4mm | 2/3" | 15.7mm |
| | H | | 9.1mm | | 12.6mm |
| | V | | 6.9mm | | 9.4mm |

Dimension



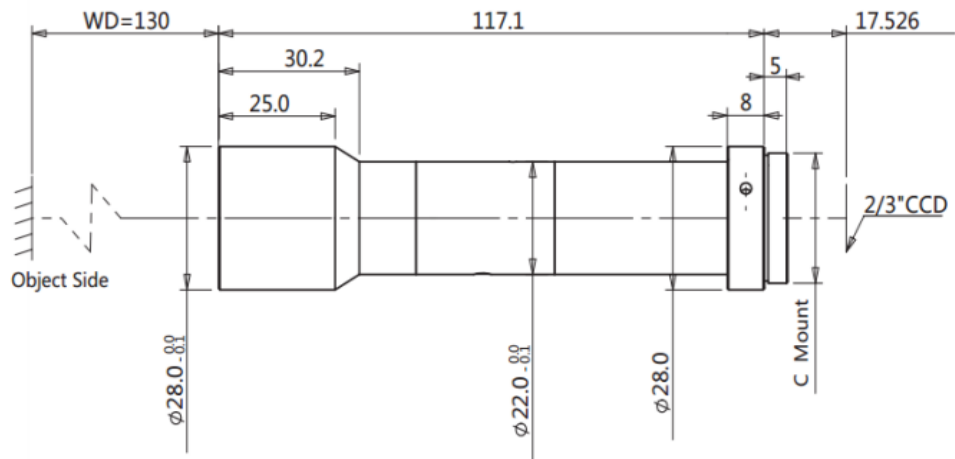
Lens Picture



Telecentric Lens Spec

| | | | |
|-----------------------|------------------|--------------------------|---------------------|
| Model NO. | MVL-MY-08-130-MP | Specification | HD Telecentric Lens |
| Amplification Factor | 0.800 | Mount | C-mount |
| Object NA | 0.036 | Telecentricity | 0.1° |
| Image Format | Φ11mm (2/3") | Flange Length | 17.526mm |
| TV Distortion | 0.001 | Working Distance | 130mm |
| Lamp connector | - | Dimension | Φ28*117.1mm |
| Operating temperature | -10~50° | Object to Image distance | 264.626mm |
| Field of View | D | 10mm | 13.75mm |
| | H | 8.0mm | 11.0mm |
| | V | 6.0mm | 8.3mm |

Dimension



Lens Picture



Telecentric Lens SPEC

| | | | | | |
|-----------------------|----------------|--------------------|------------------|----------------|--------|
| Modle | MVL-MYZ0745-MP | Specification | Zoom Telecentric | | |
| Magnification | 0.7-4.5 | Mount | C-Mount | | |
| Object NA | 0.0085-0.03 | Telecentricity | 0.1° | | |
| Image Format | Φ11mm (2/3") | Flange back Length | - | | |
| TV Distortion | <0.01% | Working Distance | 92mm | | |
| iris-control | - | Dimension | Φ31.4*115.55mm | | |
| Spot Light Compatible | - | Weight | | | |
| Working Temperature | -10~50℃ | | | | |
| Field of View | D | 2/3" (0.7x) | 15.71mm | 2/3" (4.5x) | 2.44mm |
| | H | | 12.57mm | | 1.96mm |
| | V | | 9.43mm | | 1.47mm |

