



TUBELED_70

Temperature-resistant, proven, versatile

The TUBELED_70 is the LED machine luminaire par excellence. The LED luminaire fits exactly into the holders of conventional tube luminaires on older machine tools, which allows a very fast 1:1 exchange against the previous $\varnothing 70$ mm luminaire. Even use in upper temperature ranges (+ 55 °C at 24 V and + 50 °C at 230 V) does not affect the service life of the TUBELED_70.

The Technology

- Heat dissipation via the extruded aluminium profile
- Crack-proof, 4 mm thick TSG
- Oil-resistant seals (FKM seal Viton®)
- Installed directly in the "machine space" – chip bombardment-proof, vibration and shock resistant – 100% CNC suitable

■

Your benefits

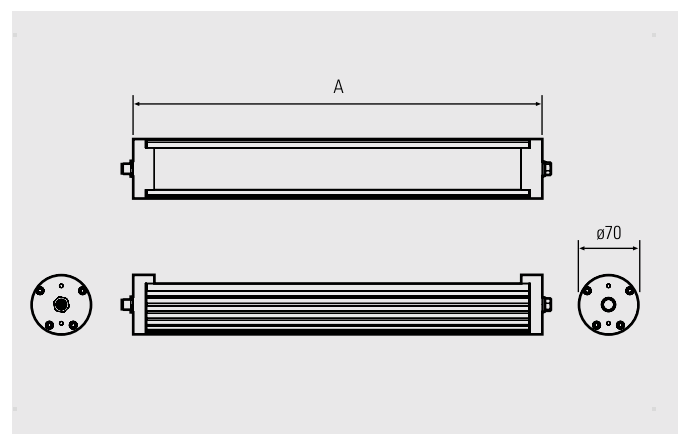
- Concentrated light (60° variant) or wide spread light (100° variant) – individual optics possible on request
- Flicker-free without UV and IR components
- Quick and easy upgrading or retrofitting

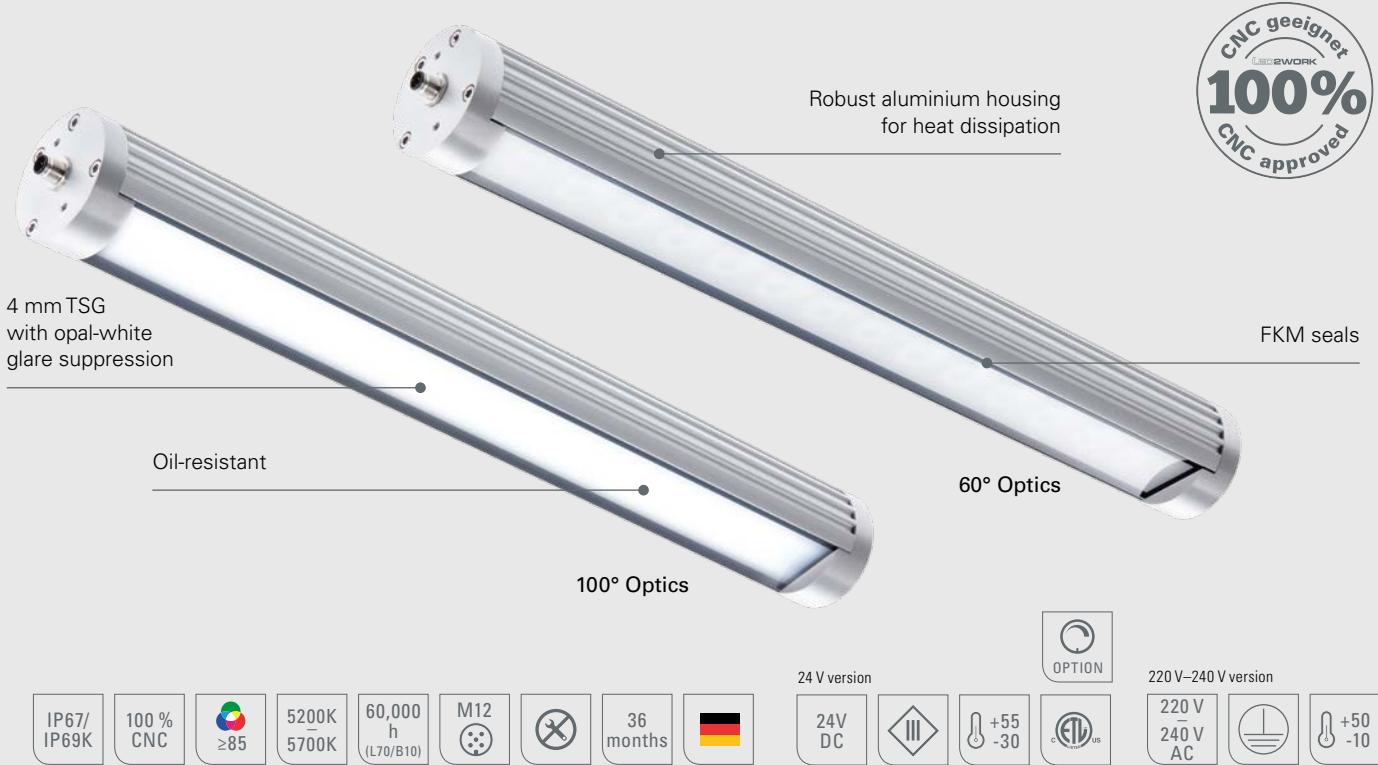
Areas of application

- Machine tools, CNC machines, outdoor applications

Designs/installation

- 4 lengths 300 mm, 560 mm, 1100 mm, 1580 mm
- Mounting via separately available luminaire holders





TUBELED_70 – 24V DC	Product no.	Length (A)	Optics	E _{average} *	E _{max} *	Luminous flux	Output	Connection
TUBELED_70	110310-01	300 mm	100°	365 lx	522 lx	approx. 1000 lm	15 W	24V DC
TUBELED_70	110314-01	300 mm	60°	750 lx	1455 lx	approx. 1216 lm	14 W	24V DC
TUBELED_70	110410-02	560 mm	100°	709 lx	1005 lx	approx. 2000 lm	27 W	24V DC
TUBELED_70	110414-02	560 mm	60°	1460 lx	2720 lx	approx. 2432 lm	27 W	24V DC
TUBELED_70	110510-02	1100 mm	100°	1266 lx	1695 lx	approx. 4000 lm	54 W	24V DC
TUBELED_70	110514-02	1100 mm	60°	2578 lx	4173 lx	approx. 4864 lm	54 W	24V DC
TUBELED_70	110710-02	1580 mm	100°	1643 lx	2047 lx	approx. 6000 lm	80 W	24V DC
TUBELED_70	110714-02	1580 mm	60°	3253 lx	4762 lx	approx. 7296 lm	81 W	24V DC

Power supply, 110-240V exclusive, fastening parts, power supply, dimmboxes and connection materials, see Accessories

* Average and maximum lighting intensities, measurement area 100 cm x 100 cm at 100 cm distance

TUBELED_70 – 220-240V AC	Product no.	Length (A)	Optics	E _{average} *	E _{max} *	Luminous flux	Output	Connection
TUBELED_70	110310-11	300 mm	100°	365 lx	522 lx	approx. 1000 lm	17 W	220-240V AC
TUBELED_70	110314-11	300 mm	60°	750 lx	1455 lx	approx. 1216 lm	17 W	220-240V AC
TUBELED_70	110410-12	560 mm	100°	709 lx	1005 lx	approx. 2000 lm	31 W	220-240V AC
TUBELED_70	110414-12	560 mm	60°	1460 lx	2720 lx	approx. 2432 lm	31 W	220-240V AC
TUBELED_70	110510-12	1100 mm	100°	1266 lx	1695 lx	approx. 4000 lm	62 W	220-240V AC
TUBELED_70	110514-12	1100 mm	60°	2578 lx	4173 lx	approx. 4864 lm	62 W	220-240V AC
TUBELED_70	110710-12	1580 mm	100°	1643 lx	2047 lx	approx. 6000 lm	93 W	220-240V AC
TUBELED_70	110714-12	1580 mm	60°	3253 lx	4762 lx	approx. 7296 lm	93 W	220-240V AC

Fastening accessories and connection materials, see Accessories

* Average and maximum lighting intensities, measurement area 100 cm x 100 cm at 100 cm distance

Accessories	Product no.
TUBELED_70 Mounting bracket, V2A, 1 pair	210200-01
TUBELED_70 Luminaire holder, aluminium, 1 pair	210200-02