



TUBELED_40 II RGB-W

Highly resistant, capable of signalling, bright

White LED chips for optimum illumination and RGB LED chips for colour changes in a luminaire – that's the TUBELED_40 II RGB-W. With a diameter of 40 mm and its compact design, this luminaire is the preferred choice where space is at a premium and production environments are harsh. But this is not the only application for the machine luminaire: Every production area can be ideally illuminated and changes in the status of machines and plants can be signalled in colour.

The Technology

- White light and RGB LED chips in one luminaire
- RGB LED chips can signal different states of machines and plants by changing colours
- Control of the LED chips by the machine or plant PLC control
- Crack-resistant TSG (tempered safety glass) 4 mm

Your benefits

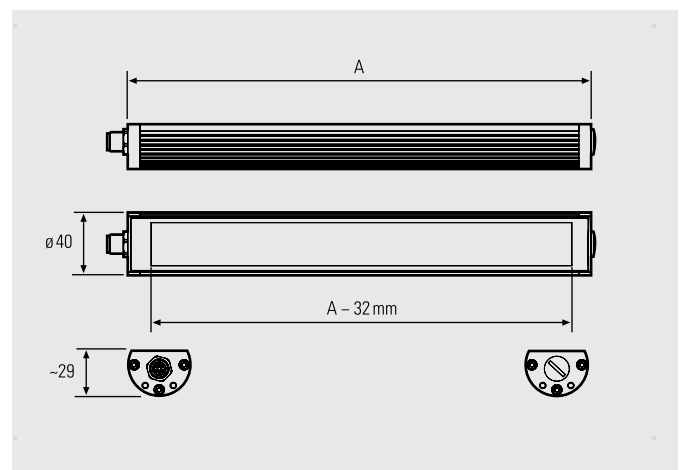
- Flicker-free, homogeneous lighting without UV and IR components as well as a signal function via freely definable colours or flashing intervals
- Simple upgrading or retrofitting in tool machines
- Optimum lighting through 100° surface light
- Oil and coolant-resistant, chip bombardment-proof

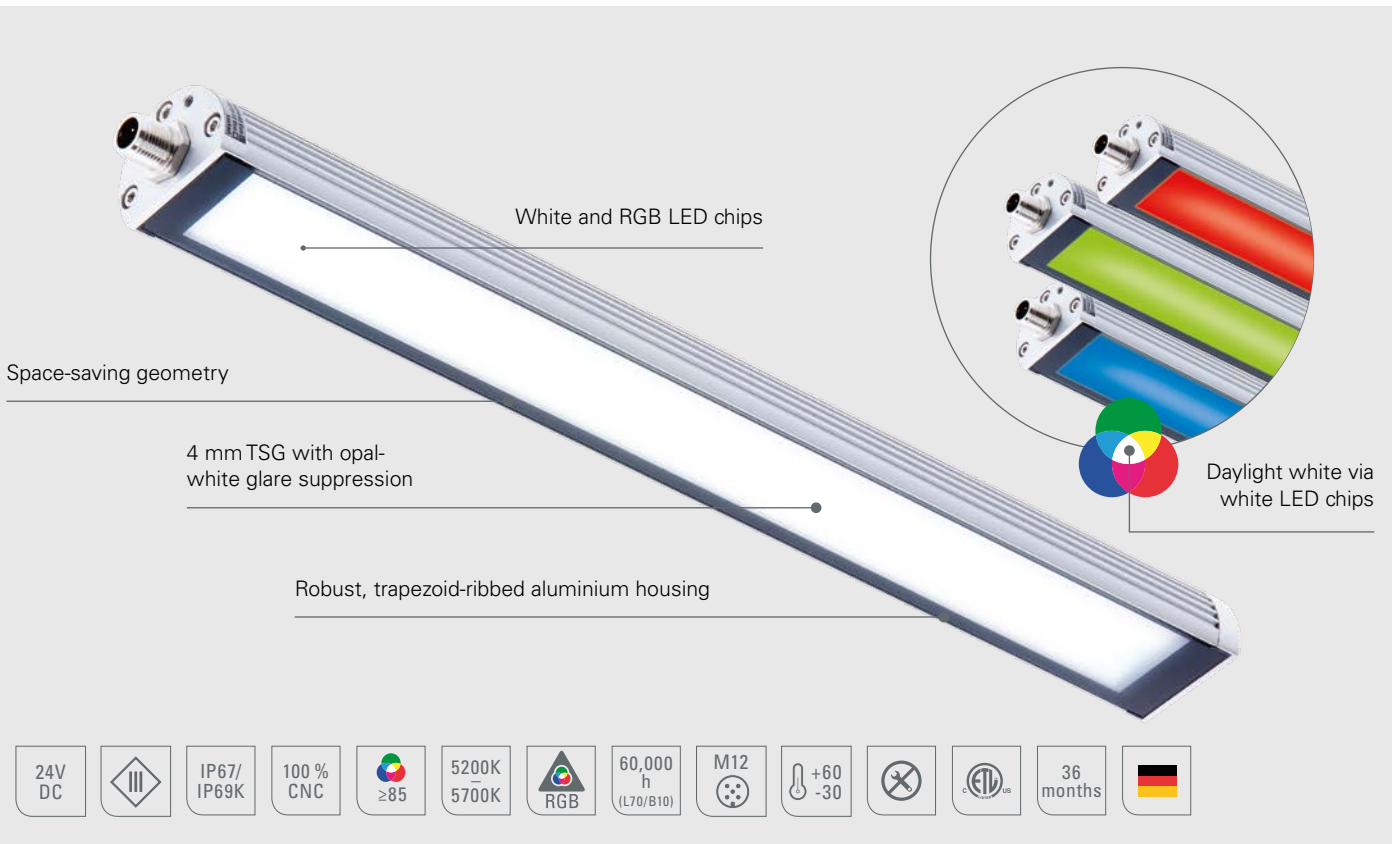
Areas of application

- Machine tools and CNC machines
- Injection moulding machines, eroding machines, punching automation
- Production and manufacturing areas with tight space

Designs/installation

- 4 lengths: 260 mm, 540 mm, 1040 mm, 1540 mm
- Installation via optional brackets or existing brackets, with 1:1 exchange of conventional, standardised lighting





TUBELED_40 II RGB-W	Product no.	Length (A)	Optics	E _{average} * [W]	E _{max} * [W]	Luminous flux [W]	Output [RGB per colour]+[W]	Connection
TUBELED_40 II_RGB-W	118190-02	280 mm	100°	261 lx	371 lx	approx. 688 lm	2.64 W / 8 W	24V DC
TUBELED_40 II_RGB-W	118390-02	540 mm	100°	511 lx	711 lx	approx. 1491 lm	5.28 W / 16 W	24V DC
TUBELED_40 II_RGB-W	118590-02	1040 mm	100°	938 lx	1233 lx	approx. 2753 lm	10.56 W / 32 W	24V DC
TUBELED_40 II_RGB-W	118690-02	1540 mm	100°	1238 lx	1539 lx	approx. 4359 lm	15.84 W / 48 W	24V DC

Power supply and connection material see Accessories

* Average and maximum lighting intensities, measurement area 100 cm x 100 cm at 100 cm distance

Accessories	Product no.
Luminaire holder, aluminium, 1 pair	210200-06
Luminaire holder, V2A angle pivotable mounting, 1 pair	210200-11
Luminaire holder, V2A angle pivotable incl. magnet, 1 pair	210200-12
Luminaire holder, VA, 1 pair, adjustable +/- 180°	210200-14

