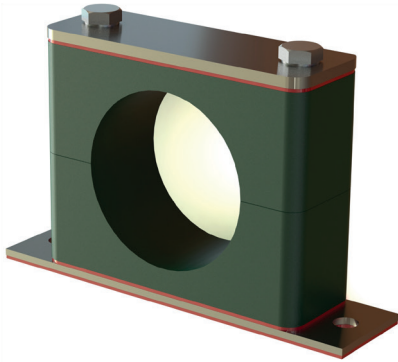


Zubehör Accessories

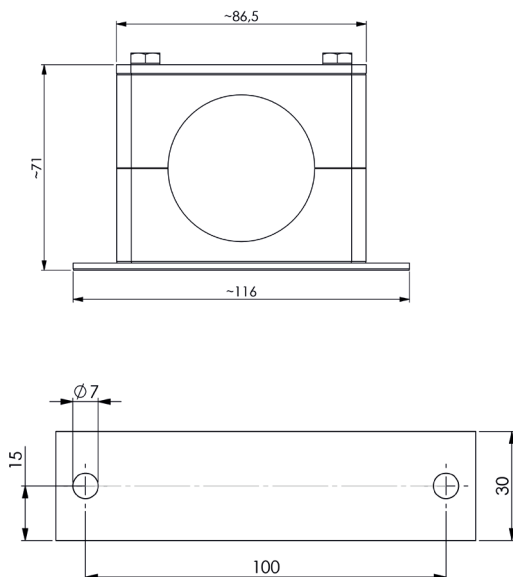
INROLED_25, INROLED_50 Leuchtenhalter 210200-09, 210200-10



Art.Nr.	Beschreibung
210200-09	INROLED_50 Leuchtenhalter, F&B geeignet, 1 Paar
210200-10	INROLED_25 Leuchtenhalter, F&B geeignet, 1 Paar

Material der Klemmbacken/ <i>jaws</i>	Polypropylen - PP / <i>polypropylene – PP</i>
Material Deckplatte/ <i>cover plate</i>	Edelstahl V4A / <i>stainless steel V4A</i>
Material Montageplatte/ <i>mounting plate</i>	Edelstahl V4A / <i>stainless steel V4A</i>
Material Dichtungen/ <i>gaskets</i>	Silikon-Kautschuk, lebensmittelecht/ <i>silicone rubber, food-safe</i>
Material 6-kt-Schraube M6, SW10/ <i>hexagon screw</i>	Edelstahl V4A / <i>stainless</i>

210200-09 | INROLED_50 Leuchtenhalter



210200-10 | INROLED_25 Leuchtenhalter

